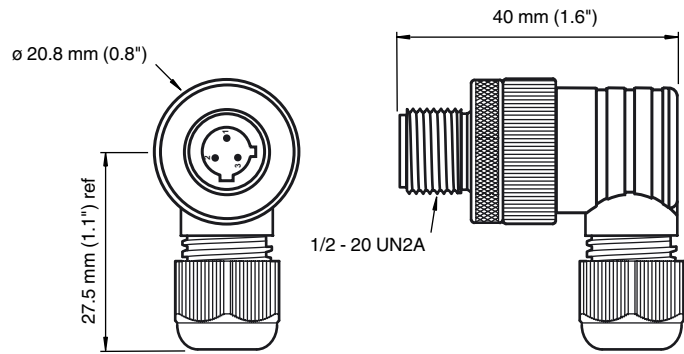




Dimensions



Model Number

V12S-W

Field connector - Male, 1/2", Micro AC, 3-pin

Features

- Gold plated contacts
- Screw terminal connection

Technical data

General specifications

| | |
|---------------------|----------------|
| Number of pins | 3 |
| Connection 1 | Male connector |
| Construction type 1 | right angle |
| Threading 1 | 1/2" |

Electrical specifications

| | | |
|-------------------|-------|--------------------------|
| Operating voltage | U_B | max. 250 V AC |
| Operating current | | max. 4 A |
| Volume resistance | | $\leq 5 \text{ m}\Omega$ |

Ambient conditions

| | |
|---------------------|--------------------------------|
| Ambient temperature | -25 ... 90 °C (-13 ... 194 °F) |
|---------------------|--------------------------------|

Mechanical specifications

| | |
|--------------------|--|
| Connection type | 1/2"-20 UN F , right angle Male connector with Screw terminals for max. 0.75 mm ² |
| Core cross-section | $\leq 0.75 \text{ mm}^2$ 18 AWG |
| Protection degree | IP67 |
| Material | |
| Contacts | Cu alloy |
| Contact surface | Au |
| Body | PA |
| Slotted nut | brass, nickel-plated |
| Cable | |
| Sheath diameter | 4 ... 6 mm |

Electrical connection

